

3 WAYS STAINLESS STEEL BALL VALVE L PORT THREADED BSP/NPT

3 ways stainless steel ball valve L port for closing or mixing network of chemical industries, petrochemical industries, hydraulic installation, heating, water distribution and compressed air.

PTFE packing and FKM O ring gasket on stem and PTFE filled with 15% glass fiber seat.

Compatible with explosive atmosphere, ATEX Zone 1&21 and Zone 2&22 thanks to the double antistatic device.

Thanks to the ISO 5211 plate, an actuator can be installed directly on the valve.



Certificate

3.1



PED 2014/68/EU



Size : DN1/4" to DN2"

Connection : Female BSP or NPT

Min Temperature : -25°C

Max Temperature : +180°C

Max Pressure : 40 Bars

Specifications : Antistatic device, ATEX

ISO 5211 Direct Mounting pad

Anti blow-out stem

Reduced bore

Materials : Stainless Steel EN 1.4408

3 WAYS STAINLESS STEEL BALL VALVE L PORT THREADED BSP/NPT

SPECIFICATIONS :

- Reduced bore
- Anti blow-out stem
- PTFE filled with 15% glass fiber seat
- Double antistatic device (small ball between stem-body and stem-ball)
- Locking device
- ISO 5211 mounting pad
- Tightness on 3 ways
- L port

USE :

- Chemical and pharmaceutical industries, petrochemical industries, hydraulic installation, compressed air
- Min and max Temperature Ts : -25°C to + 180°C
- Max Pressure Ps : 40 bars (see graph)

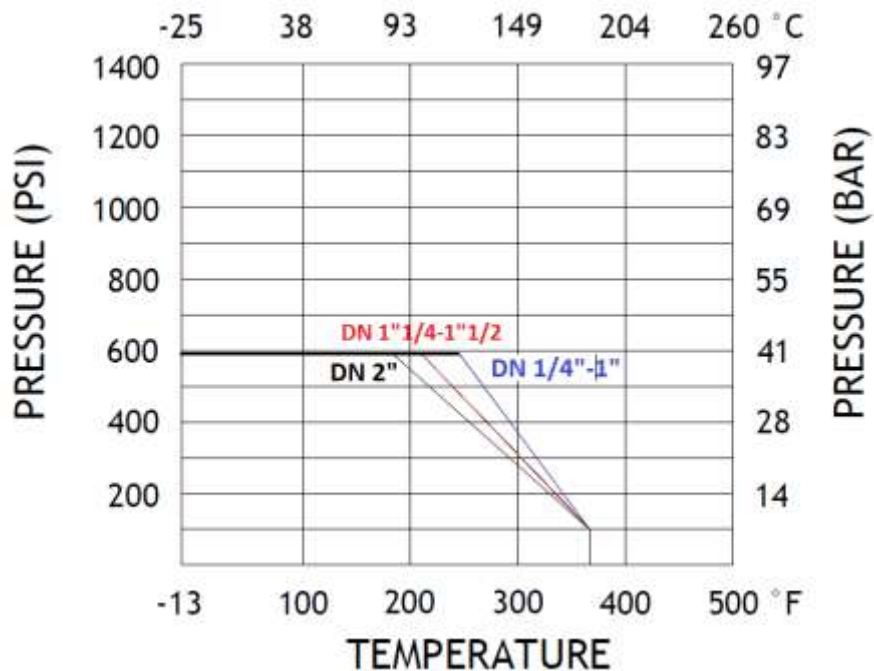
RANGE :

- 3 Ways ball valve stainless steel with L port threaded BSP **Ref. 7800** from DN 1/4" to 2"
- 3 Ways ball valve stainless steel with L port threaded NPT **Ref. 7803** from DN 1/4" to 2"

CONNECTION :

- Threaded BSP female cylindrical ends or NPT

PRESSURE / TEMPERATURE GRAPH (STEAM EXCLUDED) :



3 WAYS STAINLESS STEEL BALL VALVE L PORT THREADED BSP/NPT

FLOW COEFFICIENT Kvs (M3 / H) :

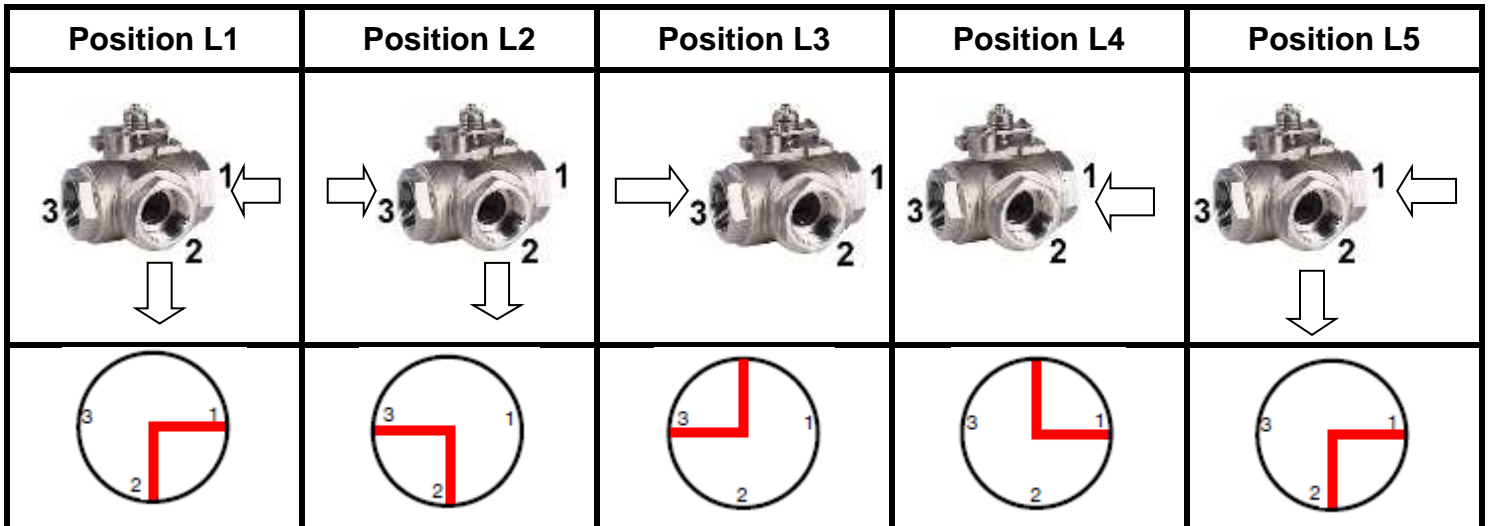
DN	1/4"	3/8"	1/2"	3/4"	1"	1"1/4"	1"1/2"	2"
Kvs (M3 / H)	2.29	3.86	4.75	5.11	11.8	19.6	33.2	53.7

TORQUE VALUES (in Nm without safety coefficient) :

DN	1/4"	3/8"	1/2"	3/4"	1"	1"1/4"	1"1/2"	2"
Torque (Nm)	8	8	8	9	15	20	30	45

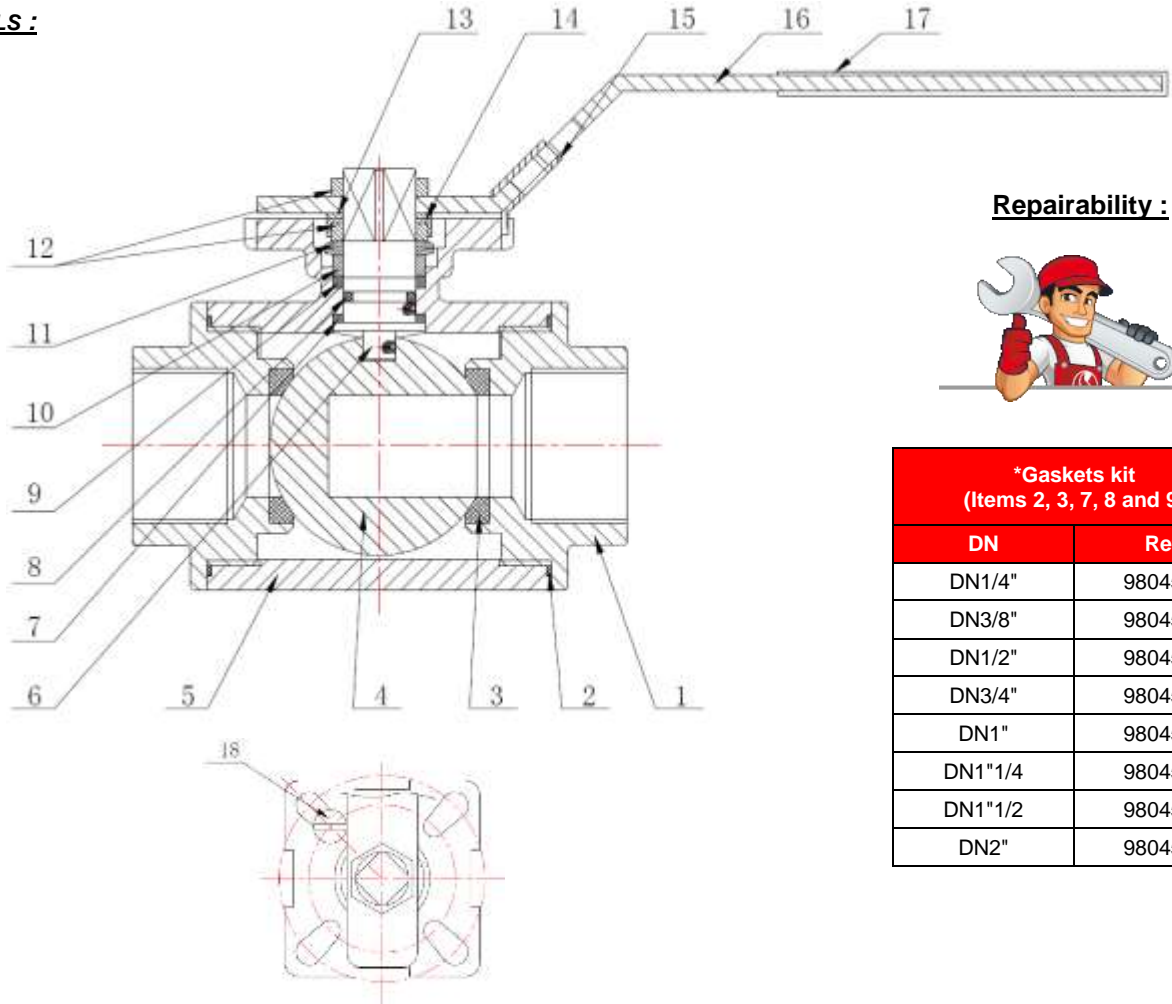
POSSIBLES POSITIONS :

L Port (only 2 consecutive positions are possibles)



3 WAYS STAINLESS STEEL BALL VALVE L PORT THREADED BSP/NPT

MATERIALS :



Repairability :



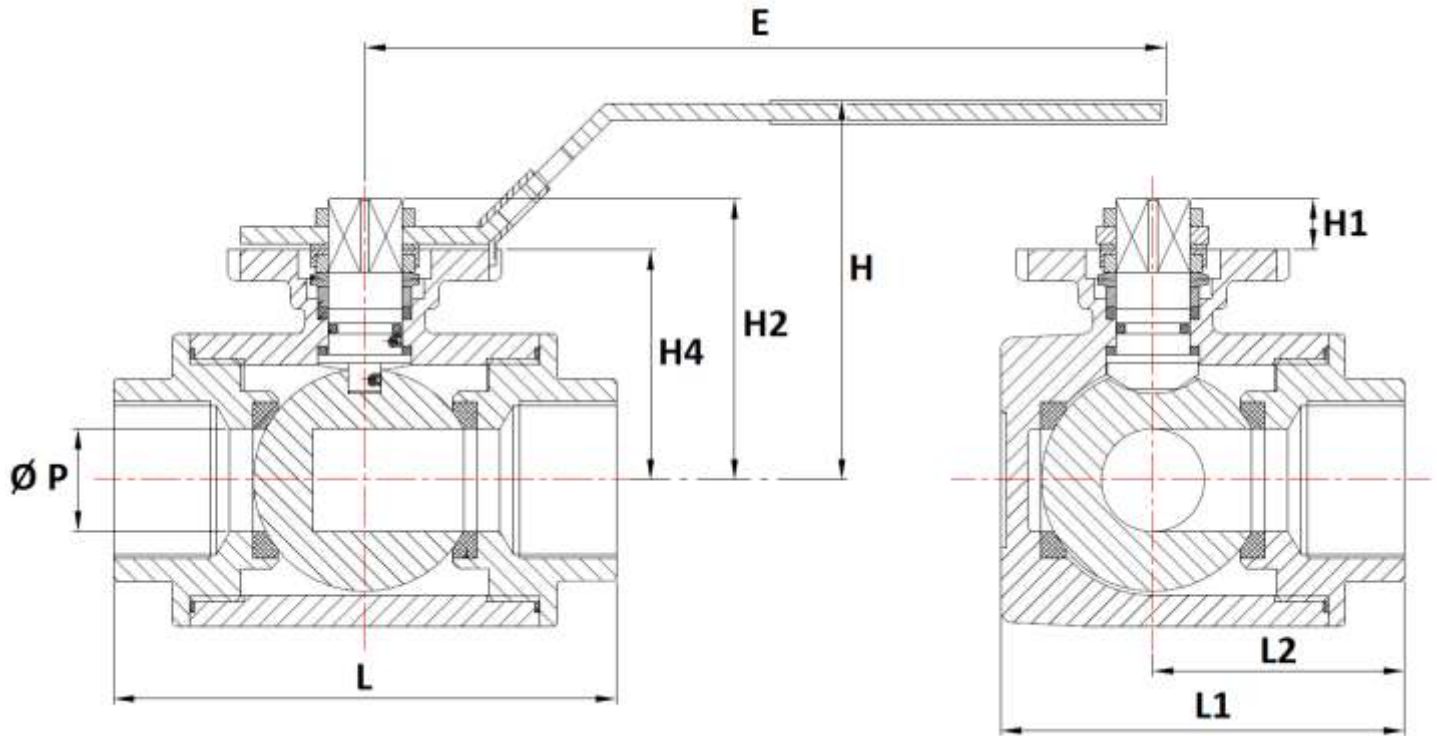
*Gaskets kit (Items 2, 3, 7, 8 and 9)	
DN	Ref.
DN1/4"	9804521
DN3/8"	9804522
DN1/2"	9804523
DN3/4"	9804524
DN1"	9804525
DN1"1/4"	9804526
DN1"1/2"	9804527
DN2"	9804528

(* : Included in gaskets kit)

Item	Designation	Materials
1	Ends	EN 1.4408
2*	Body gasket	PTFE
3*	Seat	PTFE filled with 15% glass fiber
4	Ball	AISI 316
5	Body	EN 1.4408
6	Stem	AISI 316
7*	Stem gasket	PTFE
8*	O ring	FKM
9*	Packing	PTFE
10	Gland	AISI 316
11	Elastic ring	AISI 301
12	Nut	AISI 304
13	Washer	
14	Packing nut	
15	Locking device	
16	Handle	
17	Handle cover	Plastic
18	Stop pin	AISI 304

3 WAYS STAINLESS STEEL BALL VALVE L PORT THREADED BSP/NPT

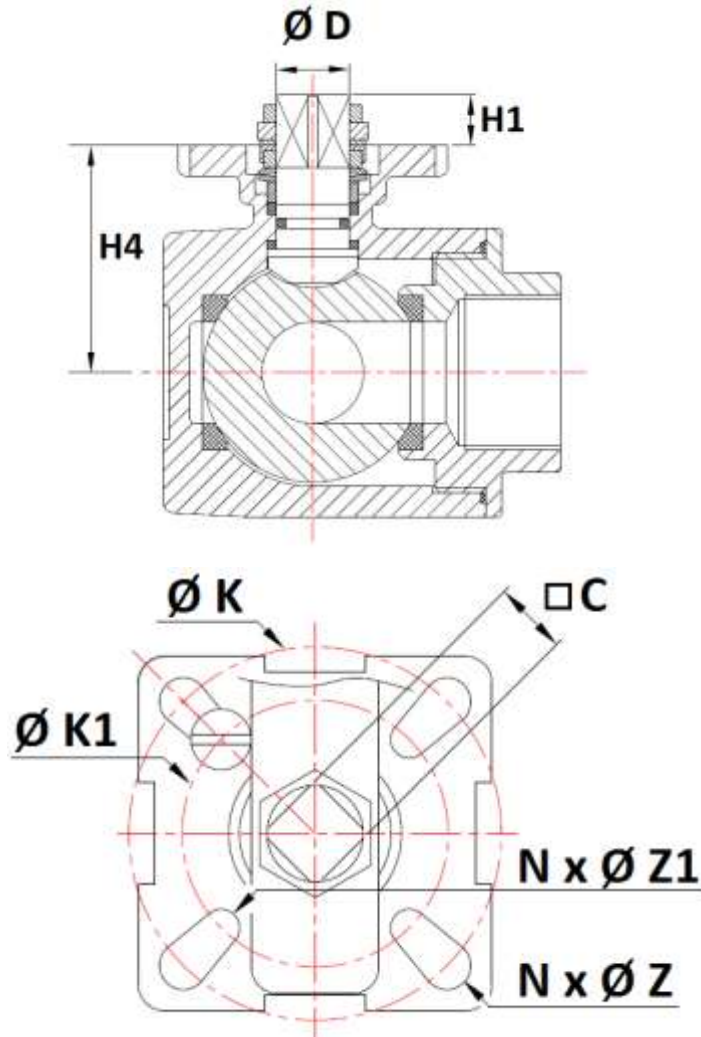
SIZE (in mm) :



DN	1/4"	3/8"	1/2"	3/4"	1"	1"1/4	1"1/2	2"
Ø P	9.5	11	12	15	20	25	32	40
L	75	75	75	85	100	122	131	158
L1	57.5	57.5	57.5	65.5	79	97	106.5	129
L2	37.5	37.5	37.5	42.5	50	61	65.5	79
E	130	130	130	161	161	203	203	203
H	66	66	66	72	77	92	96	107
H1	8.5	8.5	8.5	11	12	13.5	13.5	13
H2	45.3	45.3	45.3	52	58.5	69.5	73.5	83.5
H4	36.8	36.8	36.8	41.2	46.5	56	60	70.5
Weight (Kg)	0.70	0.67	0.63	0.94	1.39	2.91	3.66	6.31
Ref. BSP	780002	780003	780004	780005	780006	780007	780008	780009
Ref. NPT	780302	780303	780304	780305	780306	780307	780308	780309

3 WAYS STAINLESS STEEL BALL VALVE L PORT THREADED BSP/NPT

ISO MOUNTING PAD AND STEM SIZE (in mm) :



DN	1/4"	3/8"	1/2"	3/4"	1"	1"1/4"	1"1/2"	2"
C	9		11		14			
Ø D	M12x1.5			M14x1.5		M18x1.5		
H1	8.5			11	12	13.5		13
H4	36.8			41.2	46.5	56	60	70.5
Ø K	42			50		70		
ISO	F04			F05		F07		
N x Ø Z	4 x 6			4 x 7		4 x 9		
Ø K1	36			42		50		
ISO	F03			F04		F05		
N x Ø Z1	4 x 6					4 x 7		

3 WAYS STAINLESS STEEL BALL VALVE L PORT THREADED BSP/NPT

STANDARDS :

- Manufacturer certified ISO 9001 : 2015 and ISO 14001 : 2015
- DIRECTIVE 2014/68/EU : For liquids and gas of Group 1
 - DN1/4"-1" : Article 4, §3 (SEP), no CE marking
 - DN1"1/4-2" : Risk Category II, CE0036 marking
- Certificate 3.1 on request
- Pressure tests according to API 598, Table 6
- Threaded BSP cylindrical ends according to ISO 7-1 Rp
- Threaded NPT ends according to ANSI B2.1
- ISO 5211 mounting pad
- ATEX Group II Category 2 GD c T2 Zone 1 & 21 Zone 2 & 22 (optional marking)

ADVICE : Our opinion and our advice are not guaranteed and SFERACO shall not be liable for the consequences of damages.
The customer must check the right choice of the products with the real service conditions.